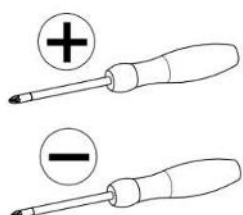
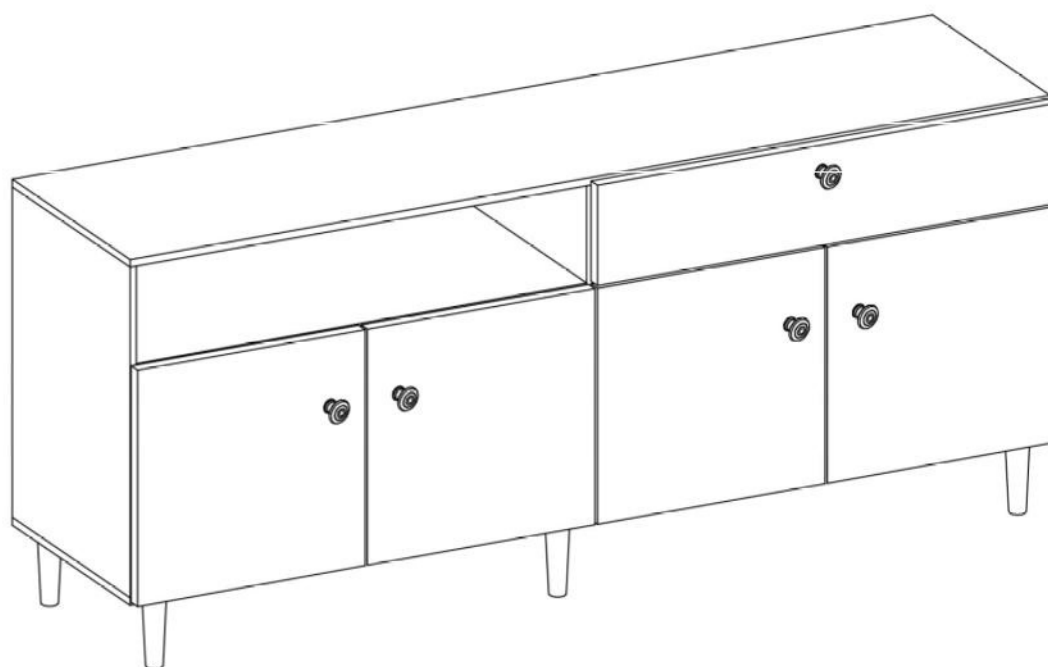
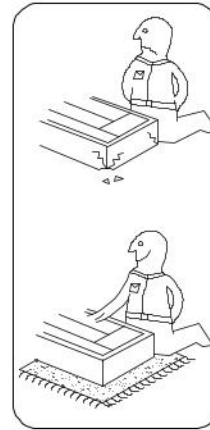
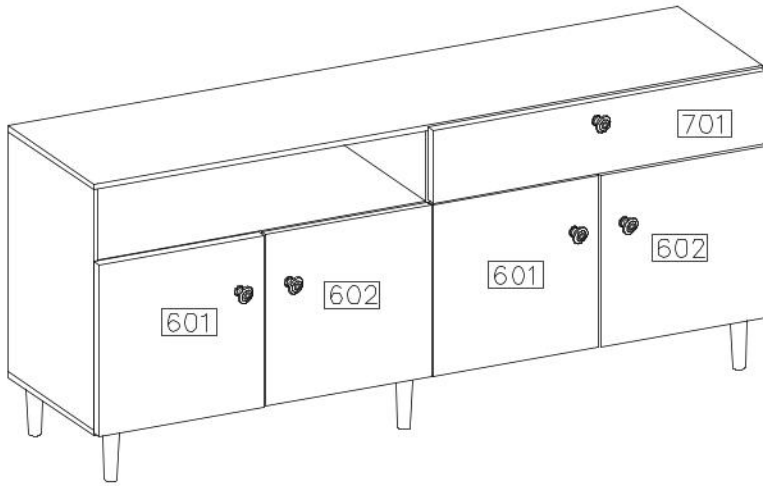
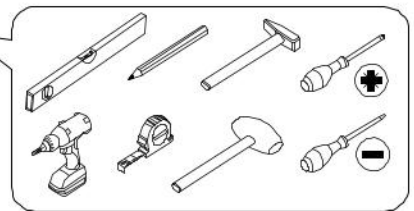
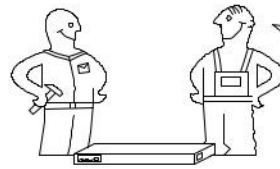


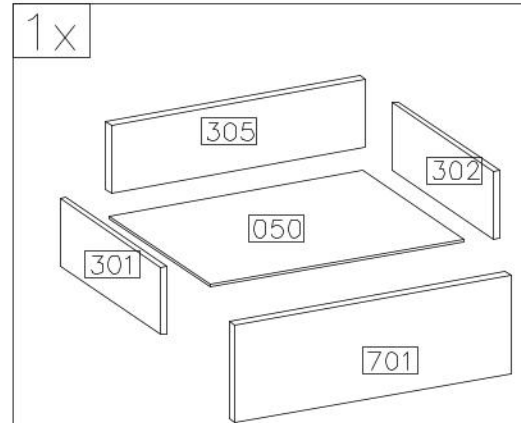
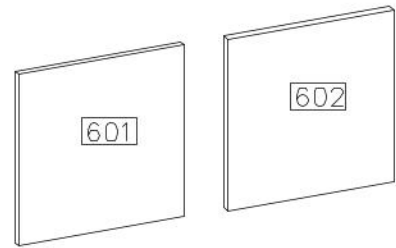
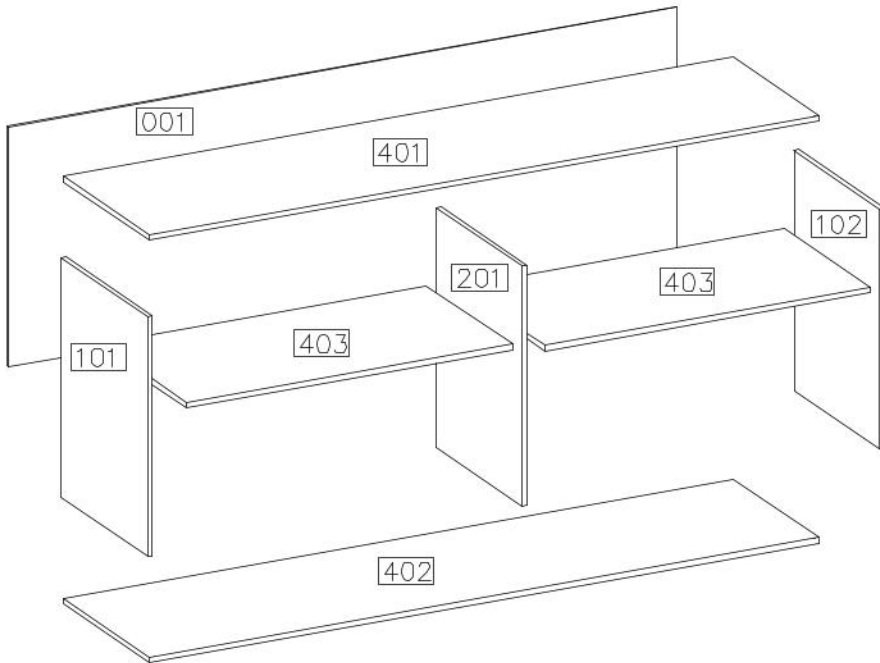
DULLUM komoda 200



K-4D1S






| # | ART. NR | QUANTITY |
|----|---------|----------|
| 1 | 401 | 1 |
| 2 | 402 | 1 |
| 3 | 403 | 2 |
| 4 | 101 | 1 |
| 5 | 102 | 1 |
| 6 | 201 | 1 |
| 7 | 601 | 4 |
| 8 | 701 | 1 |
| 9 | 301 | 1 |
| 10 | 302 | 1 |
| 11 | 305 | 1 |
| 12 | 050 | 1 |
| 13 | 001 | 1 |

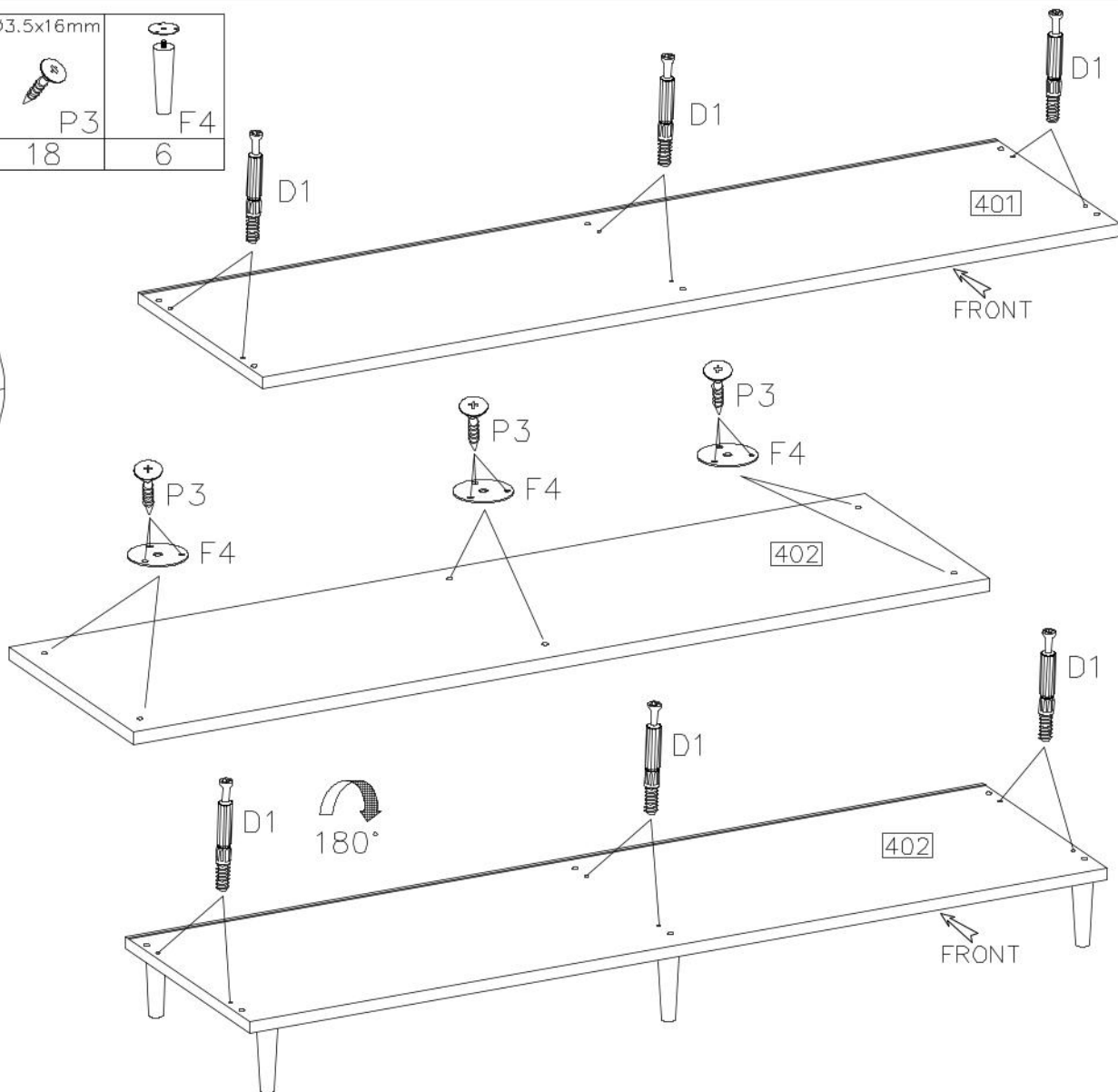
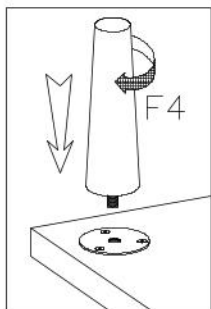
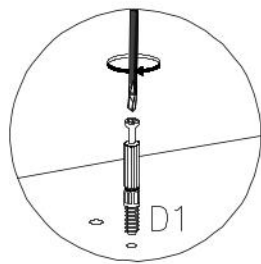


| | | | | | | | | | |
|--|---|------------|------------------------------------|---------|-----------|---|--------------------------------------|-------------------|--------|
| $\varnothing 8 \times 30 \text{mm}$ A | $\varnothing 8 \times 40 \text{mm}$ A1 | L-65 D4 | $\varnothing 15/12 \text{mm}$ C | D1 | E | $\varnothing 3.5 \times 16 \text{mm}$ P3 | F4 | M4.0 x 22mm R3 | S1 |
| 16 | 2 | 2 | 20 | 16 | 20 | 34 | 6 | 5 | 5 |
| 14 | 6,4 x 50mm B | E1 | O | F10 | H=0 H4 | $\varnothing 35 / \text{KR}-0$ G6 | $\varnothing 35 / \text{KR}-8$ G8 | 4.5 x 16mm P4 | L |
| 2SET | 4 | 4 | 1 | 35 | 8 | 4 | 4 | 16 | 12 |





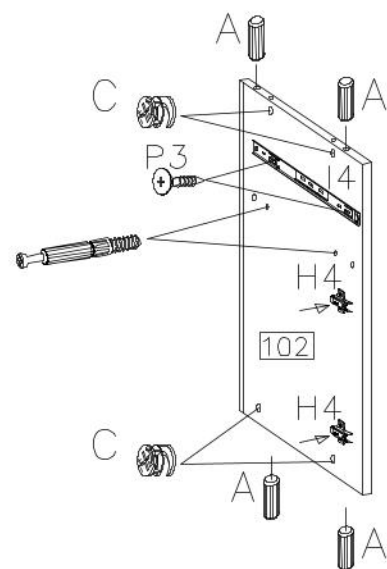
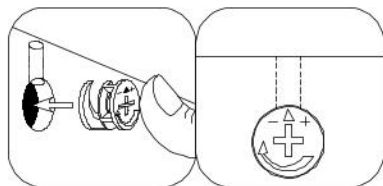
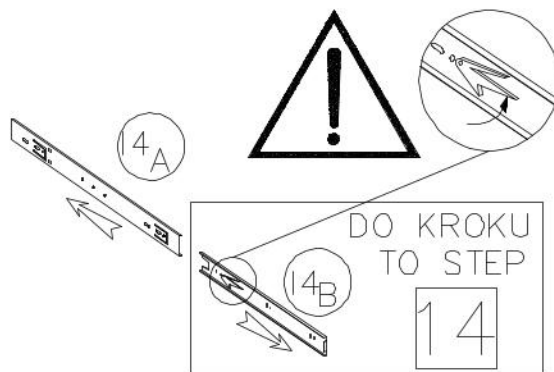
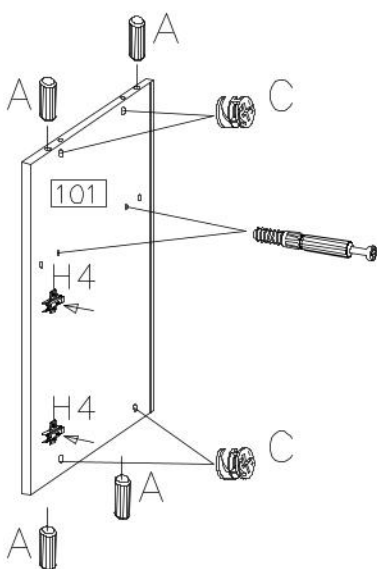
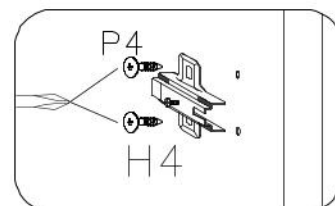
1

| | | |
|--|---------------------------------------|--|
|  | $\varnothing 3.5 \times 16 \text{mm}$ |  |
| D1 | | P3 |
| 12 | | 18 |
|  | | |
| F4 | | |
| 6 | | |









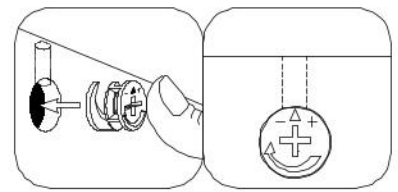
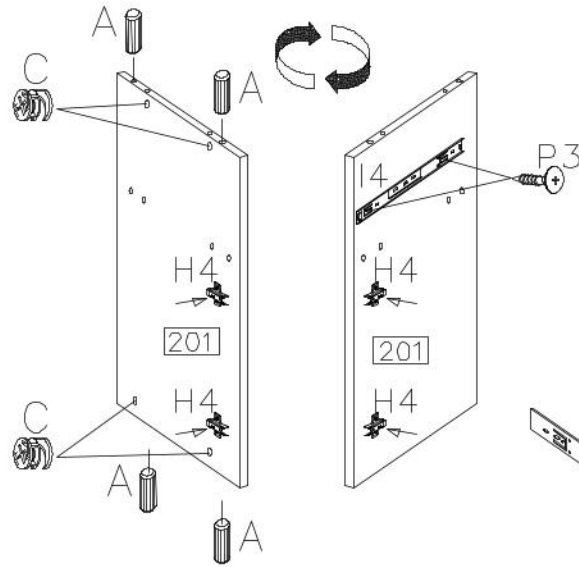
2

| | | | | | | |
|---------------------|---------------------------|---|---|---------------------------------------|-----|---------------------------|
| $\varnothing 15/12$ | $\varnothing 8 \times 30$ |  |  | $\varnothing 3.5 \times 16 \text{mm}$ | H=0 | $4.5 \times 16 \text{mm}$ |
| C | A | D1 | I4 | P3 | H4 | P4 |
| 8 | 8 | 4 | 0,5SET | 10 | 4 | 20 |

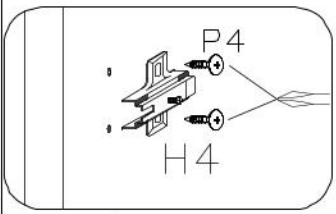


3



| | | |
|---|---|---|
| $\varnothing 15/12$  C 8 | $\varnothing 8 \times 30$  A 8 | H=0  H4 4 |
|  14 0,5SET | $\varnothing 3.5 \times 16 \text{mm}$  P3 2 | $4.5 \times 16 \text{mm}$  P4 8 |

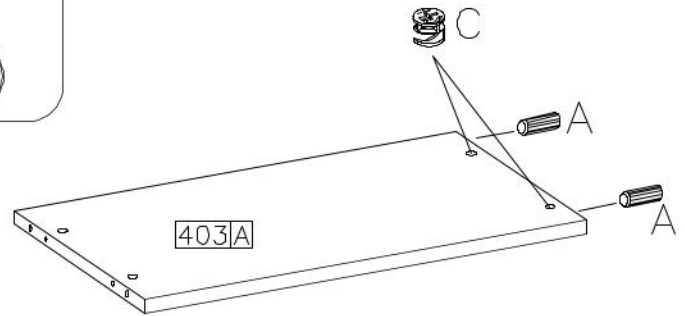
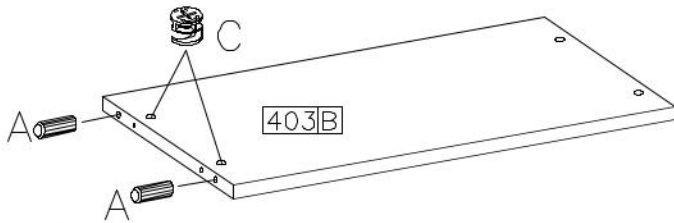
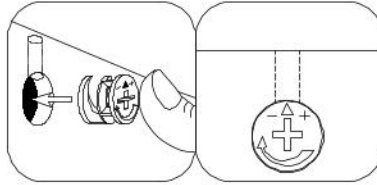


DO KROKU TO STEP 14






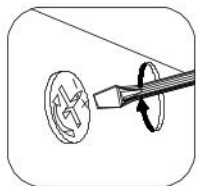
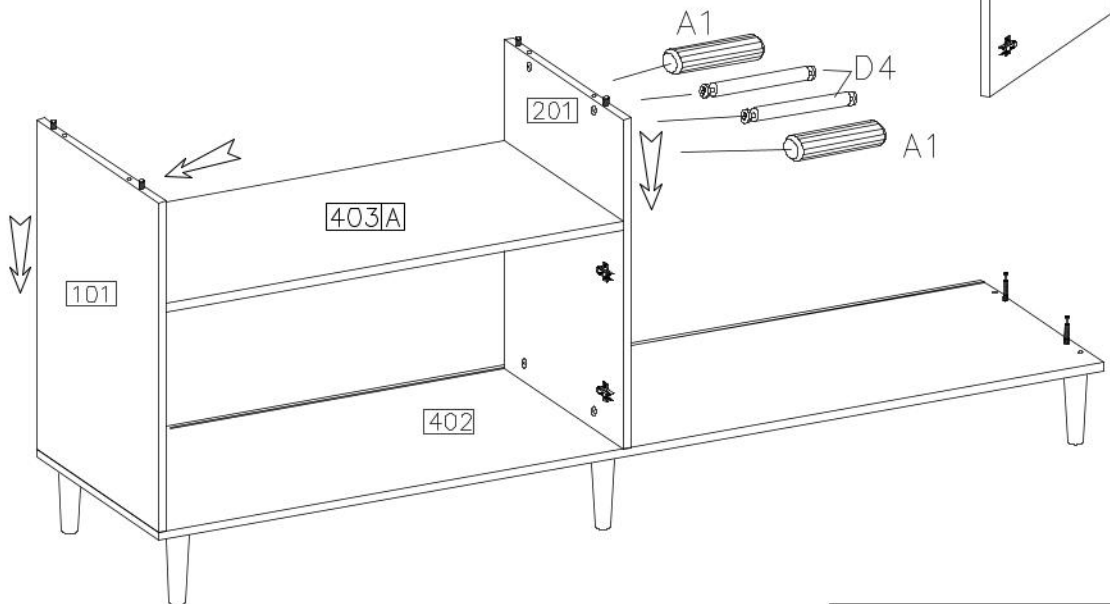
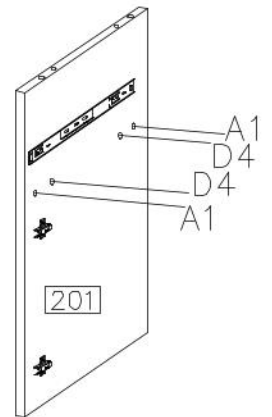
4

| | |
|--|--|
| $\varnothing 15/12$  C 4 | $\varnothing 8 \times 30$  A 4 |
|--|--|





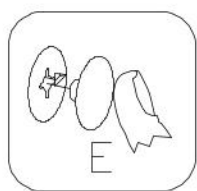
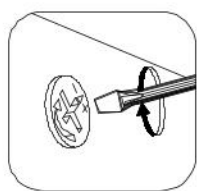
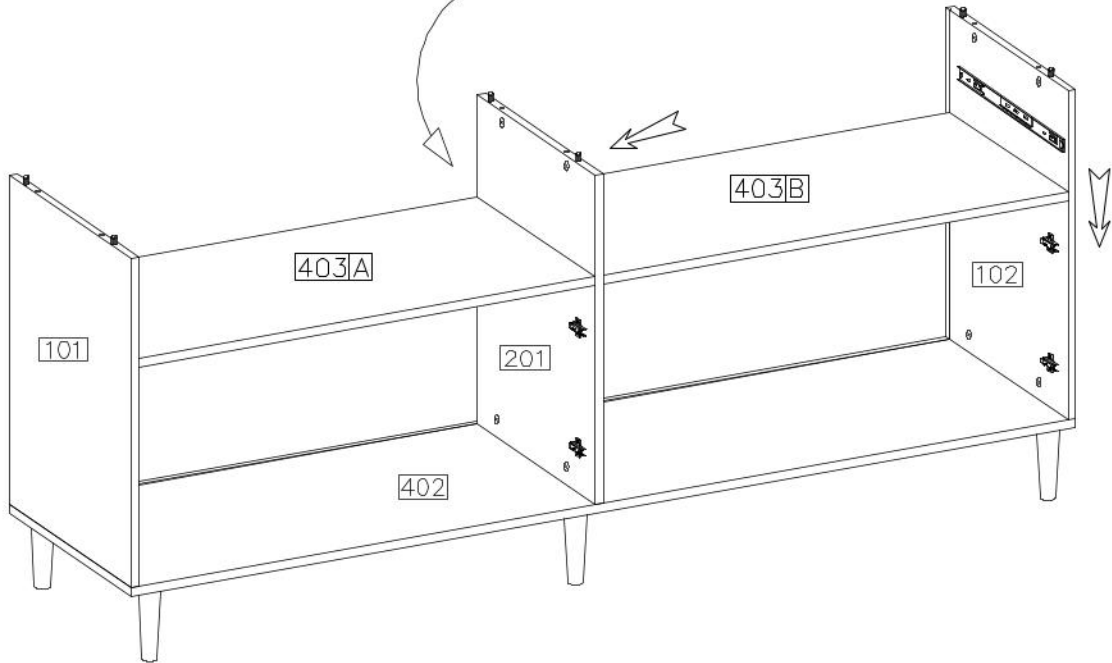
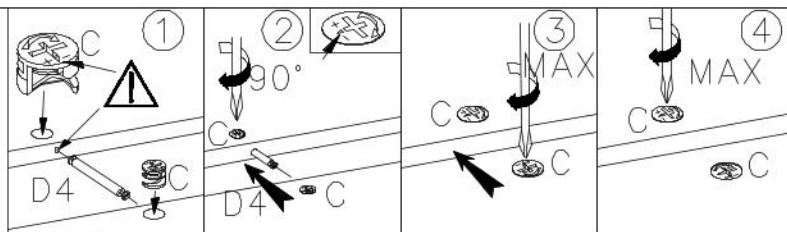
5

| | | |
|---|---|--|
|  E 8 | $\varnothing 8 \times 40 \text{mm}$  A1 2 | L-65  D4 2 |
|---|---|--|




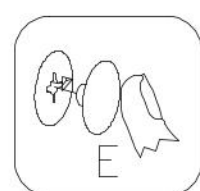
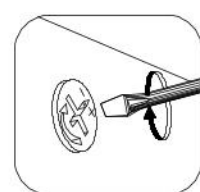
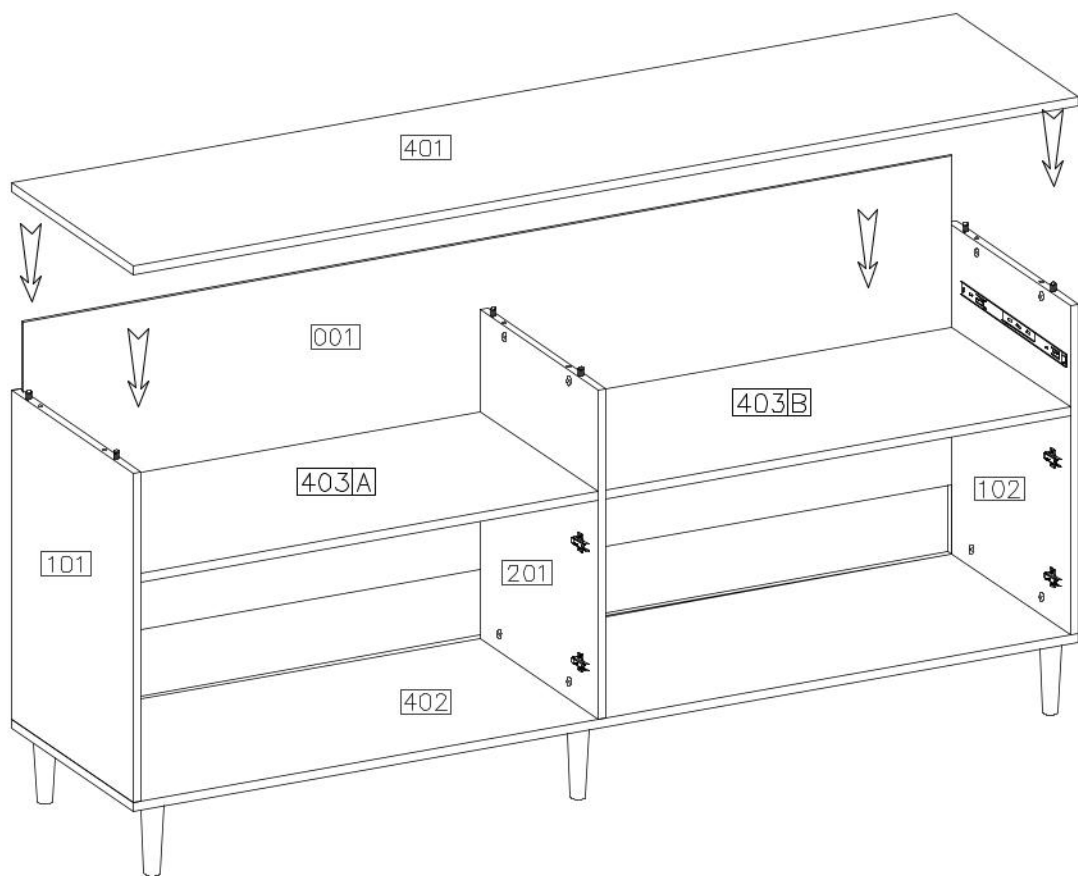
6

| | |
|--|--|
|  |  |
| E | C |
| 8 | 4 |



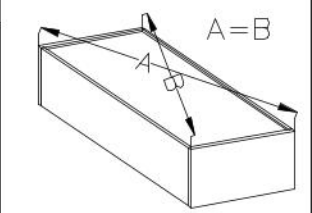
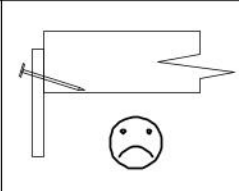
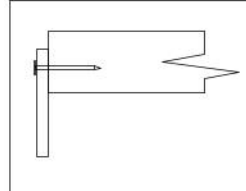
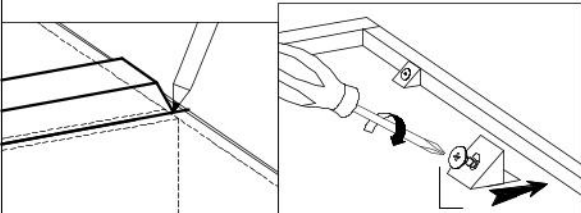
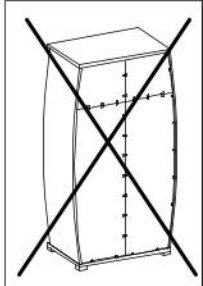
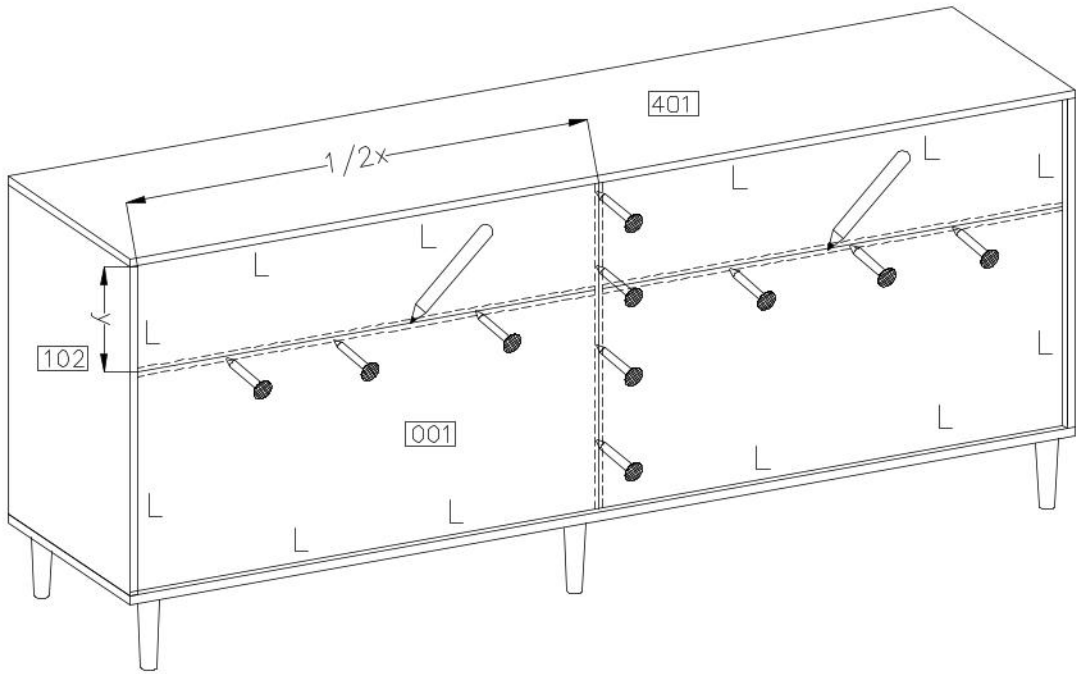
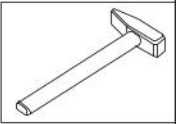
7

| |
|---|
|  |
| E |
| 6 |



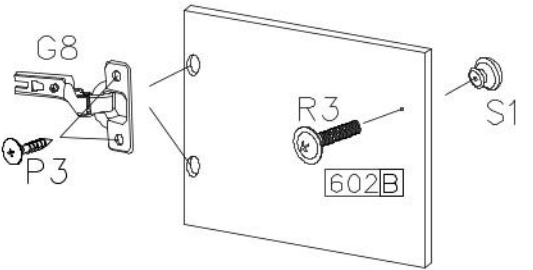
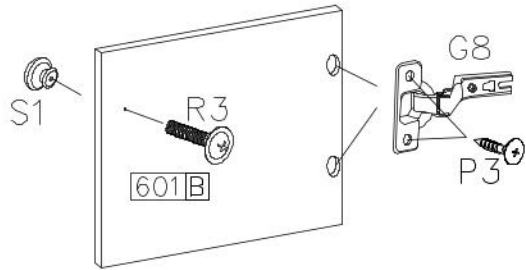
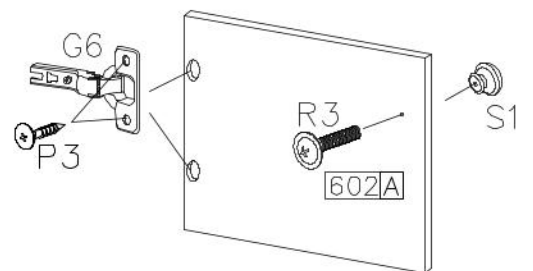
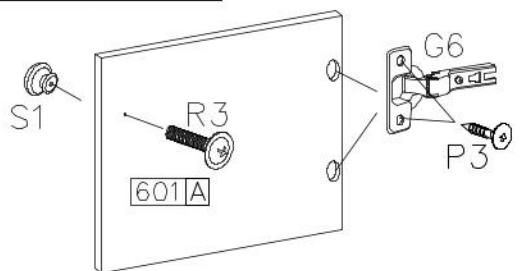
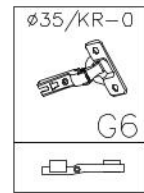
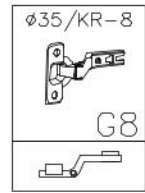
8

F10
15
L
12








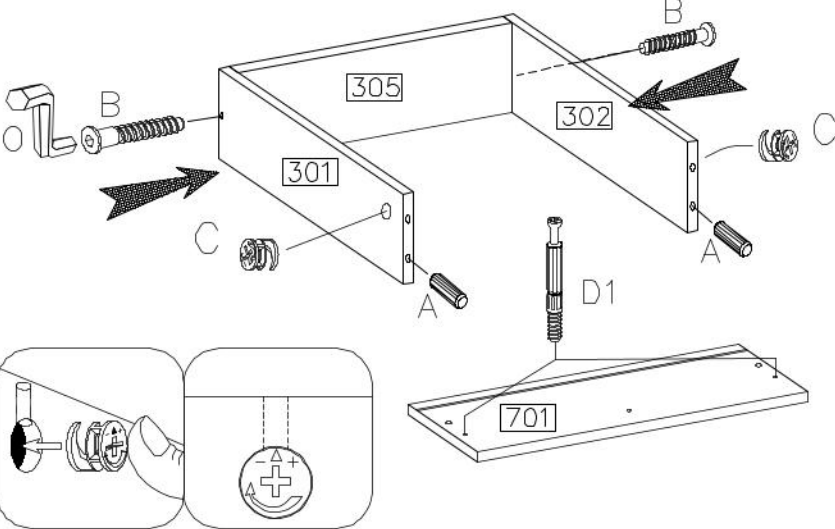
9

| | | |
|-------------|-------------|--------------|
| G6 4 | G8 4 | P3 16 |
| R3 4 | S1 4 | |




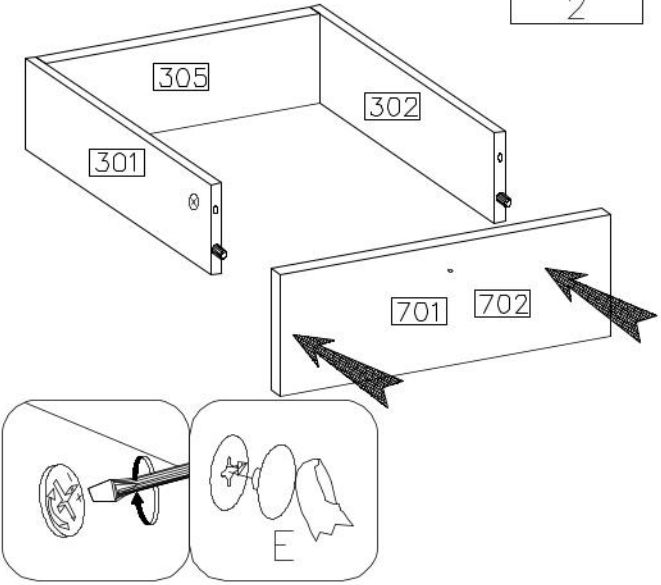
10

| | | | | |
|--|---|---|--|--|
|  | $\varnothing 8 \times 30 \text{mm}$  | $\varnothing 15/12$  |  |  |
| B | A | C | D1 | O |
| 2 | 2 | 2 | 2 | 1 |



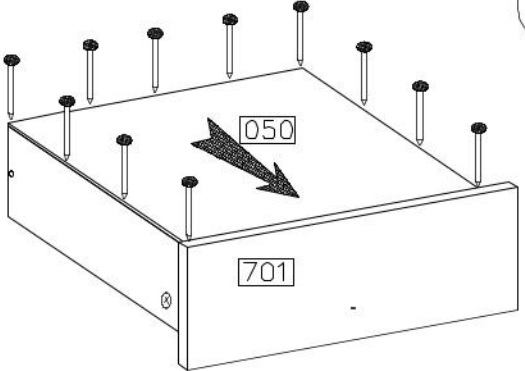
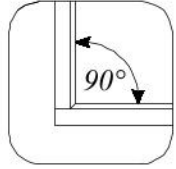
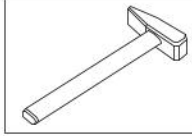
11

| |
|--|
|  |
| E |
| 2 |





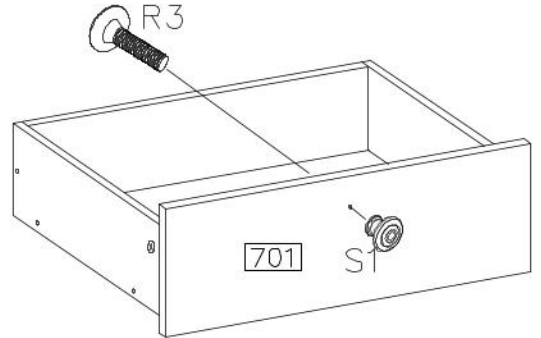
12

| |
|---|
|  |
| F10 |
| 20 |





13

| | |
|---|---|
| M4.0x22mm  |  |
| R3 | S1 |
| 1 | 1 |



14

| | |
|---|--|
|  | $\varnothing 3.5 \times 16 \text{mm}$  |
| I4 | P3 |
| 1SET | 4 |

